

INSTALLING 50DN CAST ALUMINUM END COVERS

WARNING!!! - ALWAYS USE PROPER EYE PROTECTION WHEN PERFORMING ANY MECHANICAL REPAIRS TO A VEHICLE – INCLUDING, BUT NOT LIMITED TO, ANY INSTALLATION AND OR REPAIRS TO THE DELCO REMY ALTERNATORS. FAILURE TO USE PROPER EYE PROTECTION CAN LEAD TO SERIOUS AND PERMANENT EYE DAMAGE.

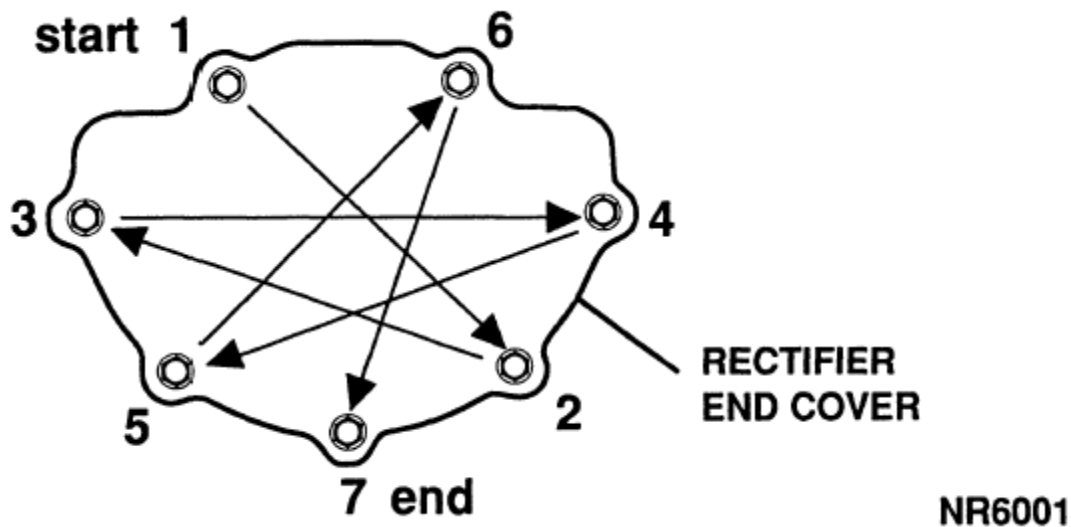
Only perform mechanical functions that you are properly qualified to perform. Mechanical repairs that are beyond your technical capabilities should be handled by a professional installation specialist.

NOTICE: O-ring must remain seated in groove all the way around the cover plate during installation. If not properly seated, an oil leak may develop.

Use only the 7/8" long self-tapping screws provided in the package to install the new cast aluminum rectifier end cover. Do not use any 3/4" long screws that may have been used with the old end cover. Using the old shorter screws is likely to result in stripped threads and loss of holding capability.

Do not use any type of gasket sealant. Sealants may come loose and block internal oil passages, causing the generator to overheat.

1. Install new O-ring (in package) to groove in back side of new cover. O-ring should lie flat in groove for an effective seal.
2. Place cover with O-ring onto unit, being sure O-ring remains seated in groove. Install loosely the new cover screws (provided in package).
3. Following pattern shown in illustration, tighten each screw in the order shown to 4.5 Nm (40 lb in).
4. Repeat the same tightening sequence, this time tightening each screw to 6.8 Nm (60 lb in).



TIGHTENING SEQUENCE – END COVER SCREWS

Technical support: USA 800 854 0076, Mexico 01 800 000 7378, Brazil 0800 703 3526, South America 55 11 2106 6510 or visit delcoremy.com

NOTICE - Only licensed Remy International, Inc. product and component parts should be used, and the use of other parts or modifications not approved by Remy International, Inc. will void all applicable warranties. The failure to carefully follow these Installation Instructions, set forth above, will void all applicable warranties. DELCO REMY is a registered trademark of General Motors Corporation, licensed to Remy International, Inc. Pendleton, IN 46064.